

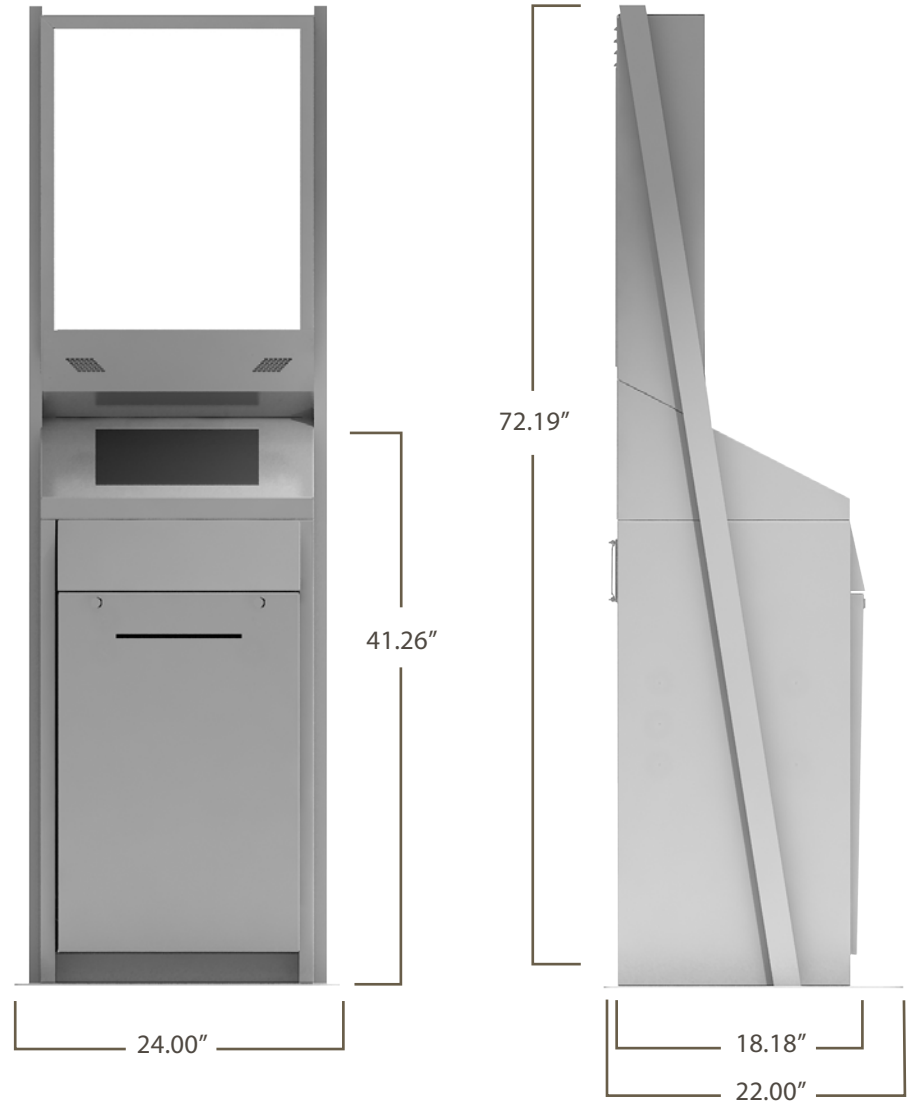


[specifications]

- Powder coat paint finish
- 16 gauge steel
- Dual security locks
- High volume cooling fan
- Ability to be anchored to ground
- ADA Compliant
- 15" Touch Screen LCD Monitor
- Internal power strip

[optional components]

- Rugged Keyboard & Trackball
- 17" Touch Screen Monitor
- Privacy Glass
- Dual Monitor
- Receipt Printer
- Thermal Printer
- Card Reader
- Phone
- Lightbox
- Custom Colors
- Body Graphics



# LOS ANGELES