

Carolina Kiosk

Data Sheet



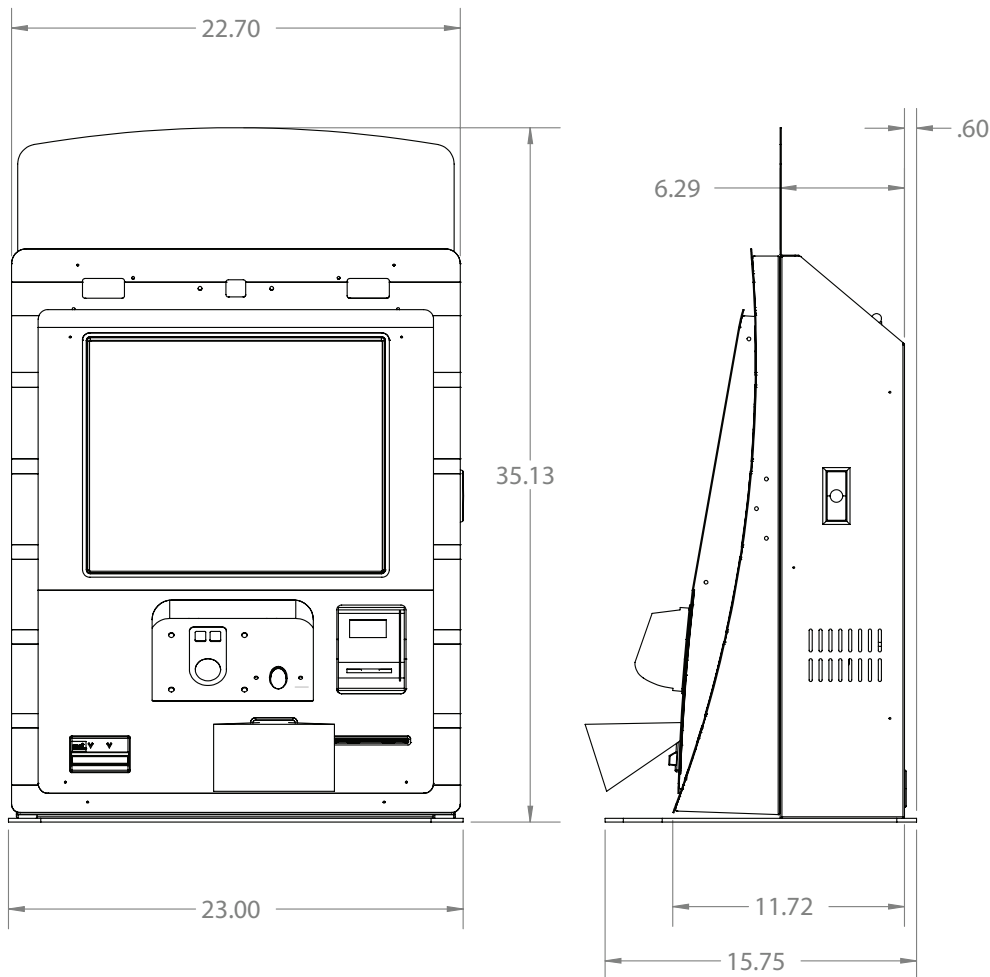
Tabletop solution featuring a 19 inch touchscreen

Micro Markets and Commissaries have a new solution with the Carolina. This tabletop kiosk specifically caters to the unique needs of self-service checkout. Strategically designed component placement enables the customer to conveniently and quickly process their transaction. The elegant design is engineered to hold components such as a barcode scanner to read loyalty cards, products and cell phones. Accepting cash, credit cards and Apple Pay are an easy transaction with the Carolina. The Carolina tabletop kiosk has all the features necessary to make the self-service checkout functional 24/7.

Specifications

- 19" Wide Viewing Angle Touch Screen
- Amplified Stereo Speakers
- Front Access Door
- Durable Power Coat Paint Finish
- 16 Gauge Galvanized Steel
- Security Locks
- High Volume Cooling Fans
- Internal 6-outlet power strip w/surge protection
- Topples Resistant Base Plate with Ability to Bolt to table





For more information:
info@olea.com
 U.S. 800-927-8063

Optional Components

- Dell Optiplex Business Line PC
- Credit Card Reader or Chip and Pin EMV device
- WiFi or Cellular Connectivity
- Barcode Scanner 1D, 2D, PDF, and QR
- Bill Acceptor, Web Camera, and Chip and Pin Device
- 3M Privacy Filter for Monitor (HIPAA Compliant)
- 80mm Thermal Printer (Coupon/Receipt)
- Web Camera

Dimensions

- Width: 19.45"
- Height: 51.25"
- Depth: 26.12"
- Weight: 127lbs
- Base plate: 25"W x 23.5"D