

Verona Healthcare Kiosk

Data Sheet



Adjustable Height kiosk with Direct Roll Up Access

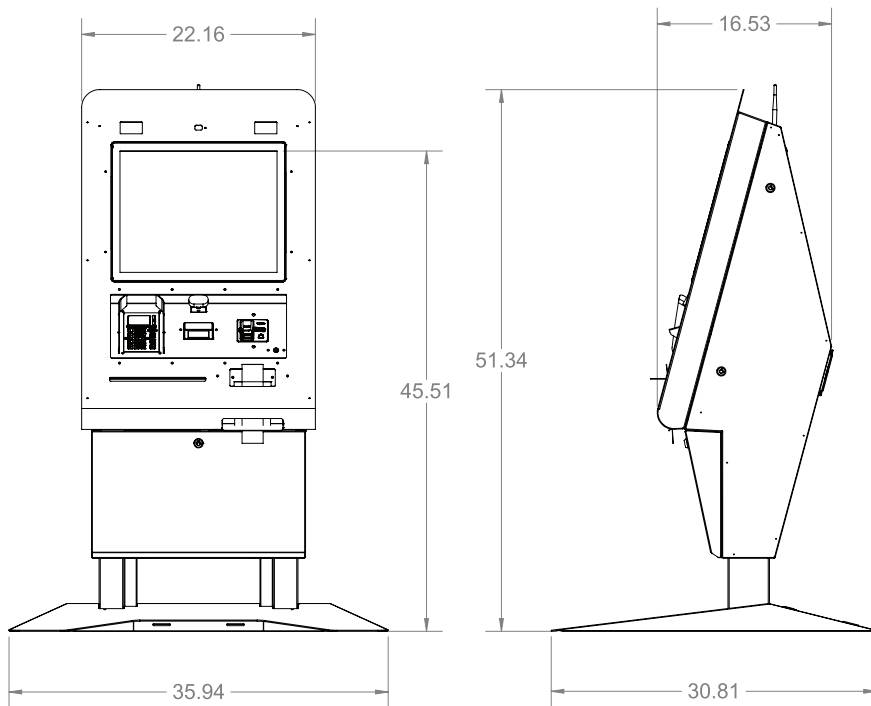
The Verona is a fully ADA compliant adjustable height patient healthcare kiosk solution. With the press of a button, the Verona can raise and lower over a 10-inch range providing easy access for all patient users, standing or sitting. The extended front console accommodates wheelchair users and is compliant with forward approach ADA requirements. The standard components, including Capacitive Touch technology with accurate on screen signature capture, EMV compliant payment devices, duplex ID scanner and printer, are all designed for ease of access by all patients. Optional components include a barcode scanner, web camera, Wi-Fi adapter and audio headphone jack. Built with serviceability in mind, the quick change hardware system can be accessed, serviced and even replaced without using any tools. All internal systems of the Verona are accessible through the front of the unit, making it perfect for placement against a wall or with another Verona unit back-to-back. A true turn-key solution for providers, the Verona kiosks are compatible with all major health care software platforms such as Epic, Siemens, and McKesson. The Verona kiosk solution will turn your patient participation into a convenient and hassle free experience.



Specifications

- 19" ELO Capacitive Touch Screen with Privacy Filter
- Height Adjustable Over 10" Range
- EMV – Compliant Payment Devices
- Document/ID Scanner
- 8.5" Thermal Printer
- 16 Gauge Galvanized Steel
- Amplified Stereo Speakers

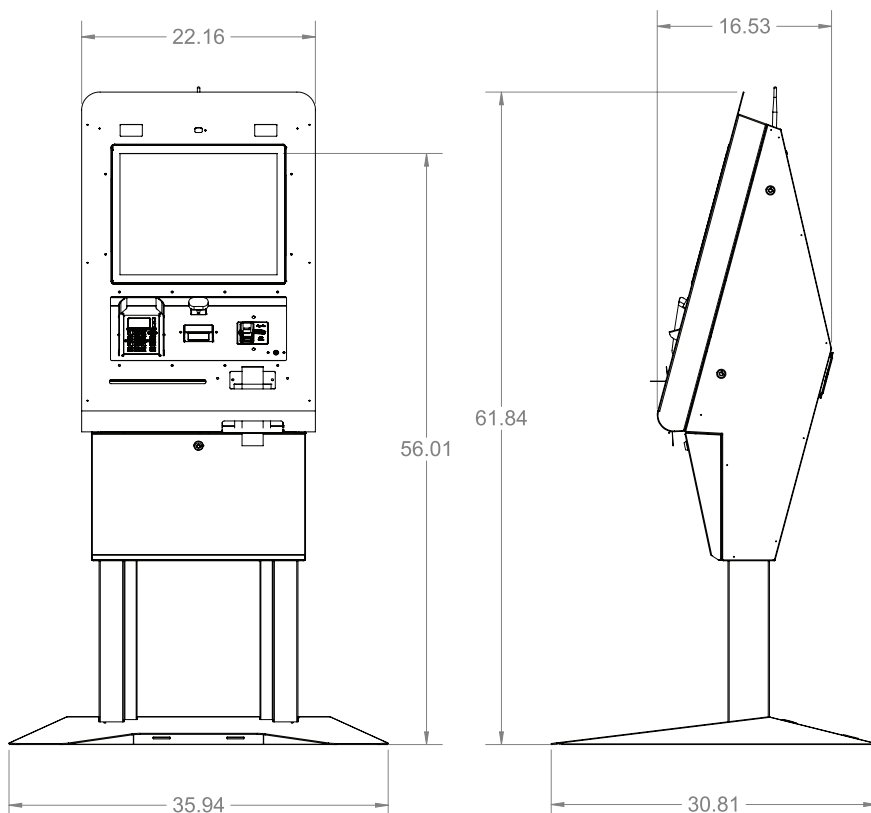
Min Height



Optional Components

- Barcode Scanner
- Magnetic Card Reader – Swipe or Insert Style
- Secure Pin Pad
- Web Camera
- WiFi Adapter
- Audio Headphone Jack
- Dell PC with Service Keyboard

Max Height



Dimensions

- Width: 22.16"
- Min Height: 51.34"
- Max Height: 61.84"
- Depth: 16.53"
- Weight: 250lbs
- Base plate: 39.94"W x 30.81"D

For more information:
info@olea.com
 U.S. 800-927-8063