

Better kiosks through intelligent design...

California Kiosk

Data Sheet



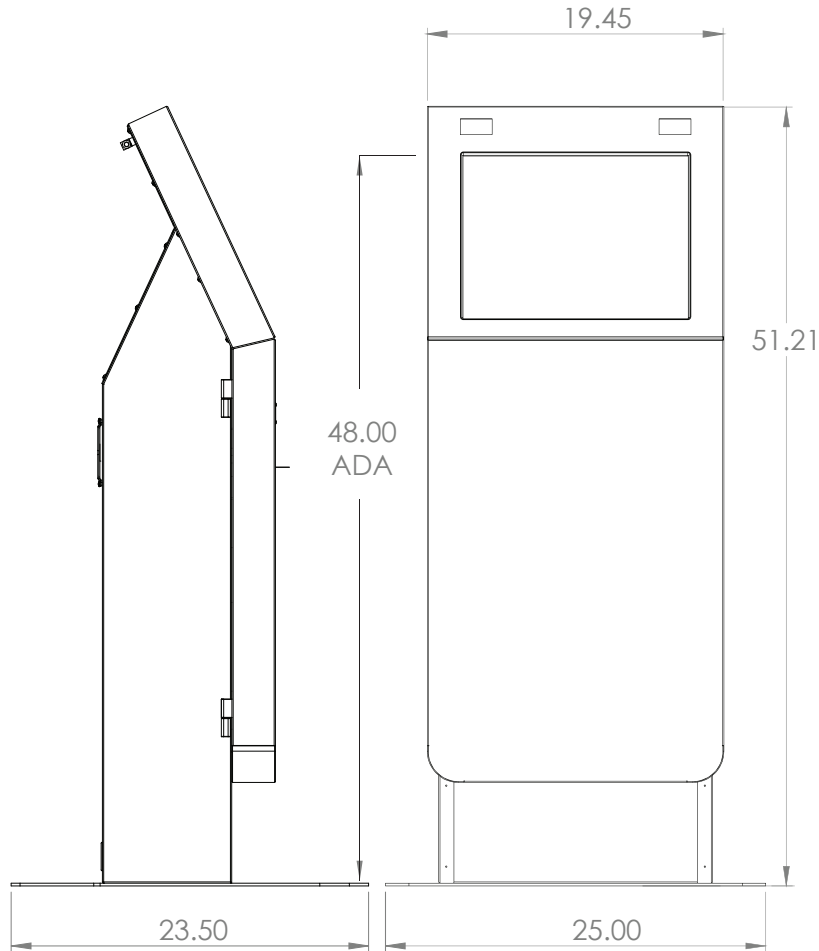
EMV and ADA Compliant Self Service Solution

This versatile solution is built to excel in any industry. Regulation compliance for ADA, HIPAA and EMV is achieved with the California. The multitude of component configurations makes this solution ideal for processing payments, vendor/employee check in, product look up and scanning, and lead generation. The sleek front door allows quick access to easily change paper and bank notes. The small footprint and robust features makes the California perfectly suited for all solutions.

Specifications

- 19" Wide Viewing Angle Touch Screen
- Amplified Stereo Speakers
- Front Access Door
- Durable Power Coat Paint Finish
- 16 Gauge Galvanized Steel
- Security Locks
- High Volume Cooling Fans
- ADA Compliant
- Internal 6-outlet power strip w/surge protection
- Tottle Resistant Base Plate with Ability to Bolt to Ground





For more information:
info@olea.com
 U.S. 800-927-8063

Optional Components

- Dell Optiplex Business Line PC
- Insert or Swipe Style Credit Card Reader
- WiFi or Cellular Connectivity
- Barcode Scanner 1D, 2D, PDF, and QR
- Bill Acceptor, Web Camera, and Chip and Pin Device
- 3M Privacy Filter for Monitor (HIPAA Compliant)
- 80mm Thermal Printer (Coupon/Receipt)
- Ticket Printer
- 8.5" Wide Thermal Printer (Full Sheet)
- Stainless Steel Keyboard and Trackball

Dimensions

- Width: 19.45"
- Height: 51.21"
- Depth: 23.50"
- Weight: 127lbs
- Base plate: 25"W x 23.5"D