

AUSTIN WALL MOUNT

DATA SHEET COMPACT AND VERSATILE

Make an impact when space is limited.

Wall Mounted solutions are tricky to get right. We're proud to say that the Austin has gotten it right and then some. It fits snug against the wall, remaining compact and modern to the eye. That said, it doesn't sacrifice any functionality and provides for great branding opportunities much like the freestanding model.

The Austin wall mount allows you to make the best use of your valuable floor space, and not worry about any complex mounting schemes to get your solution up and running. We've also made service a breeze as the entire face of the kiosk serves as the door to the interior.

Enjoy access to hundreds of configurations to make the Austin Wall Mount your own.

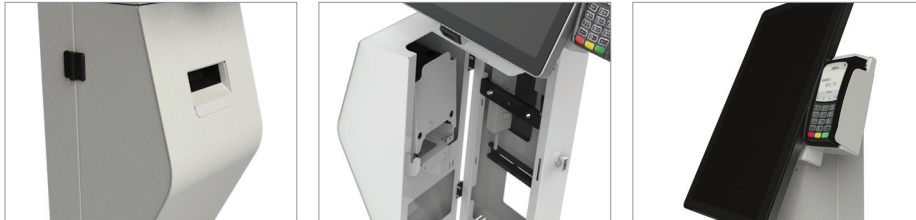
BRINGING EXCELLENCE TO THE GUEST EXPERIENCE

- Food ordering
- Ticketing
- Information
- Check-in / Check-out
- Wayfinding
- Virtual receptionist
- Retail transactions
- Bill payment



AUSTIN WALL MOUNT KIOSK

SLEEK & MODERN. THE AUSTIN KIOSK CAN WORK IN ALMOST ANY ENVIRONMENT



The Austin Wall Mount is there to make an impact when space is limited. Being confined to the wall doesn't mean you can't be flexible, though. Gone are the days of a single monitor option, a single printer option, or other strict design rules.



- The monitor can be ordered in portrait or landscape orientation. Both 15" and 22" PCAP touchscreens are available.
- The kiosk is serviced from the front side, making it easy to get in-and-out quickly when routine maintenance is needed.
- The kiosk utilizes familiar POS receipt printers so that no kiosk-specific receipt paper needs to be ordered and stocked.
- Several payment device options are already available and more are added as needed.



A CLOSER LOOK

AT AUSTIN WALL MOUNT

STANDARD SPECS

- 15" or 22" All in One Computer
- Projective capacitive multi-touch touch sensor
- Durable powder coat paint finish
- 16 Gauge Galvanized Steel
- Security Locks
- Internal 6-outlet power strip w/ surge protection

DIMENSIONS

Landscape Dimensions

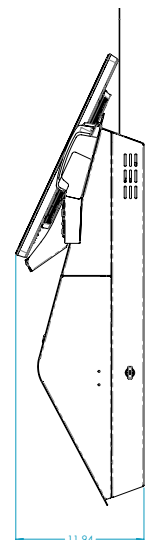
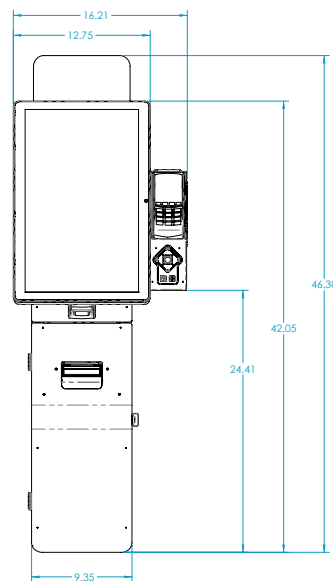
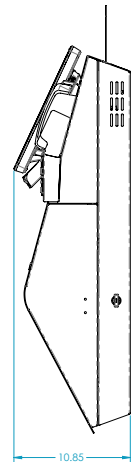
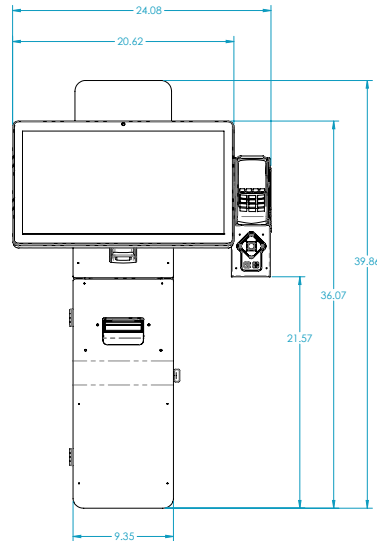
- Width: 24.08"
- Height: 39.86"
- Depth: 10.85"

Portrait Dimensions

- Width: 16.21"
- Height: 46.30"
- Depth: 11.94"

OPTIONAL COMPONENTS

- 15" or 22" All in One Multi-Touch Computer (PCAP)
- Ingenico and Verifone payment devices
- Epson TM-t88VI receipt printer
- Star Micronics TSP650II
- Barcode Scanner 1D, 2D, PDF, and QR
- ID Card Scanner
- ID Card / loyalty / gift card scanner
- Room key dispenser



REDEFINING SELF-SERVICE TECHNOLOGY

ABOUT OLEA KIOSKS

CONTINUING A PROUD HERITAGE OF EXCELLENCE

Inspired by a true passion for his craft, master carpenter Fernando Olea began a tradition of bringing his customers' ideas to life back in 1975. He started designing, engineering and producing furniture, cabinetry, display exhibits, commissioned works of art and, later, kiosks in his small, rented RV garage in Downey, California. And Olea was born.

From those humble beginnings to the company's current high-capacity manufacturing facility in Southern California, Olea Kiosks continues to be driven by our founder's innovative spirit, with an old-fashioned commitment to quality, craftsmanship, and service. More than 40 years later our network of 35,000 kiosks registers over 100 million touchpoints per year and we remain a family-owned and operated company. Olea continues to push the limits of kiosk design, using our curiosity and intuition to find new self-service solutions that create a lasting impact for our customers.

AN UNPARALLELED COMMITMENT TO QUALITY AND SERVICE

At Olea, we go beyond producing kiosks that simply meet your technical requirements. We engineer self-service solutions that enhance our clients' brands and complement any space where they are implemented. The following in-house departments work together to consistently deliver attentive customer service and innovative kiosks that comply with our strict quality control guidelines.

- Consulting
- Industrial Design
- Creative Consulting and Graphic Creation
- Mechanical and Structural Engineering
- OEM Manufacturing
- Integration Services
- IT Department (for product testing, computer ghosting services and hardware selection/consulting)
- Powder Coat Painting
- Certification Services
- Patent Services

