

# GENEVA KIOSKS

## DATA SHEET PERFECTLY PROPORTIONED

*Built for High Volume, Upscale Hospitality and Entertainment*

The Geneva's modular and reconfigurable elements provide the freedom to deliver creative and elegant self-service solutions with a clean simplicity. It's extremely functional, yet very stylish for today's attractions and hospitality industry.

Available in both indoor and outdoor models, the consistent design makes it easy for guests to identify self-service options across your property. It's a sophisticated robust solution with front access to quickly and easily change paper or perform other maintenance.

## BRINGING EXCELLENCE TO THE GUEST EXPERIENCE

- Ticketing
- Food ordering
- Retail
- Casino
- Check-in / Check-out
- Wayfinding



# GENEVA KIOSK

PERFECTLY PROPORTIONED WITH ITS LONG, SLEEK DISPLAY FOR GUESTS TO QUICKLY IDENTIFY SELF-SERVICE OPTIONS.



The Geneva Kiosk was designed to be ultra versatile for a variety of environments, both indoor and outdoor. This high-performance solution was built with a flexible component cavity to accommodate the necessary technology to deliver the ultimate guest experience.

Its 27" monitor increases the interactive real estate and still provides elegant, clean simplicity.

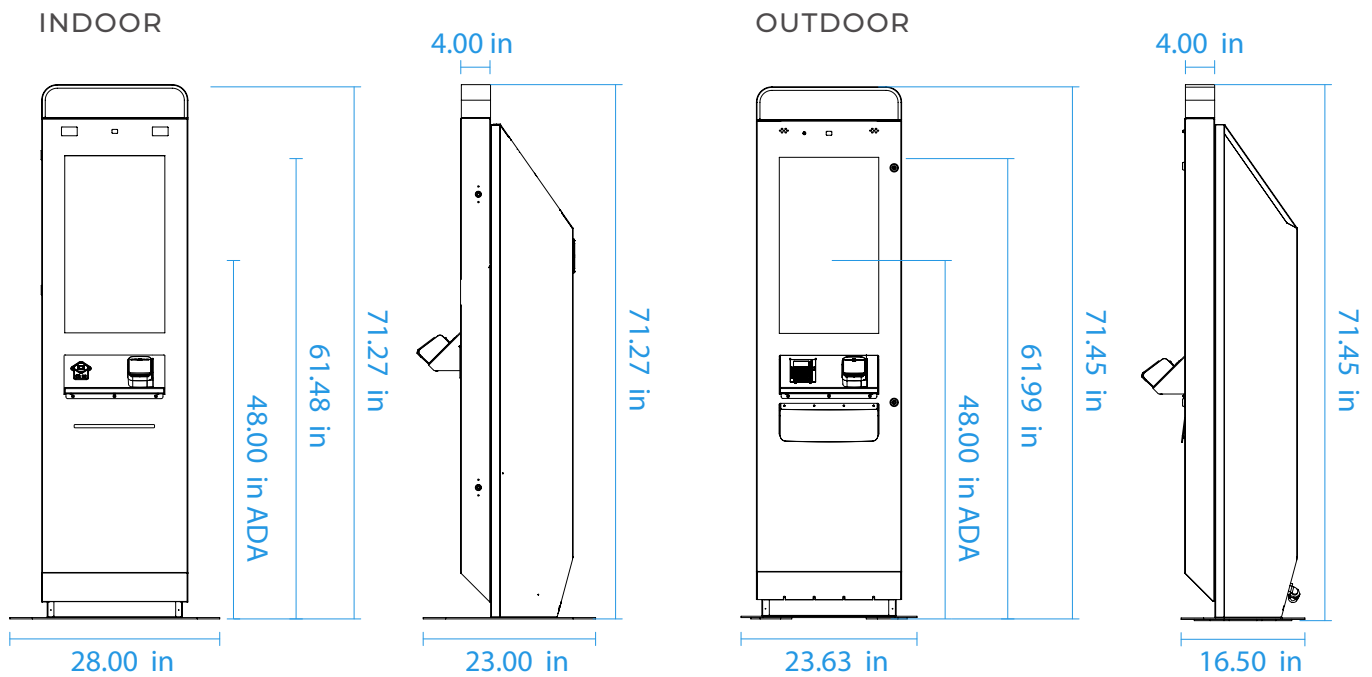
- Payment devices can be positioned below the monitor or as side components.
- Component cavity can hold both a ticket printer and a receipt printer.
- The kiosk is serviced from the front to allow for easy maintenance and paper changes.

With its aesthetics, performance and quality, the Geneva is the perfect solution for high-volume attractions and hospitality.



# A CLOSER LOOK

## AT GENEVA



### DIMENSIONS

#### Indoor

- Width: 28.00"
- Height: 71.27"
- Depth: 23.00"
- Base plate: 28.00"w x 23.00"D

#### Outdoor

- Width: 23.63"
- Height: 71.45"
- Depth: 16.50"
- Base plate: 23.63"w x 16.50"D

### STANDARD SPECS

- 27" PCAP Multi-touch touchscreen
- Outdoor unit equipped with High Bright LCD Panel with auto dimming
- Multiple payment device options
- Ticket Printer
- 16 Gauge Galvanized Steel
- Security Locks
- Internal 6-outlet power strip w/ surge protection?
- Topple resistant base plate with ability to bolt to ground

### OPTIONAL COMPONENTS

- Multiple options for payment devices
- Options for both ticket and receipt printers
- Wristband dispenser
- HD Web Camera
- ID Scanner
- Room Key Dispenser / Encoder

# REDEFINING SELF-SERVICE TECHNOLOGY

## ABOUT OLEA KIOSKS

### CONTINUING A PROUD HERITAGE OF EXCELLENCE

Inspired by a true passion for his craft, master carpenter Fernando Olea began a tradition of bringing his customers' ideas to life back in 1975. He started designing, engineering and producing furniture, cabinetry, display exhibits, commissioned works of art and, later, kiosks in his small, rented RV garage in Downey, California. And Olea was born.

From those humble beginnings to the company's current high-capacity manufacturing facility in Southern California, Olea Kiosks continues to be driven by our founder's innovative spirit, with an old-fashioned commitment to quality, craftsmanship, and service. More than 40 years later our network of 35,000 kiosks registers over 100 million touchpoints per year and we remain a family-owned and operated company. Olea continues to push the limits of kiosk design, using our curiosity and intuition to find new self-service solutions that create a lasting impact for our customers.

### AN UNPARALLELED COMMITMENT TO QUALITY AND SERVICE

At Olea, we go beyond producing kiosks that simply meet your technical requirements. We engineer self-service solutions that enhance our clients' brands and complement any space where they are implemented. The following in-house departments work together to consistently deliver attentive customer service and innovative kiosks that comply with our strict quality control guidelines.

- Consulting
- Industrial Design
- Creative Consulting and Graphic Creation
- Mechanical and Structural Engineering
- OEM Manufacturing
- Integration Services
- IT Department (for product testing, computer ghosting services and hardware selection/consulting)
- Powder Coat Painting
- Certification Services
- Patent Services

