



REDEFINING SELF-SERVICE TECHNOLOGY FOR HEALTHCARE CHECK-IN

AUSTIN—FOR HEALTHCARE CHECK-IN DATA SHEET COMPACT AND VERSATILE

The Austin kiosk was meticulously engineered to be the most flexible solution in the kiosk industry. Its compact footprint, attractive aesthetics, and rugged security make it the perfect choice to deploy in any healthcare setting. Dress it up with custom graphics or keep it simple and elegant, the choice is yours.

While this self-service solution is simple in nature, the Austin can be configured in various ways to deliver check-in thoughtfully.

BRINGING EXCELLENCE TO THE PATIENT EXPERIENCE

Self-service kiosks help to improve profitability while reducing operational costs. Not only do kiosks enhance the patient experience, these systems can also redirect staff to spend more time on patient care. It's a win-win solution.

PATIENT BENEFITS

- Reduced time spent in line to check-in
- Fewer errors in data entry
- Enhanced privacy
- Reduced front desk congestion
- Improved patient experience

HEALTHCARE PROVIDER BENEFITS

- Improved patient wait times
- Optimized staffing with reduced overhead costs
- Cost effective co-payment collection (credit card, debit card)
- Improved billing collections
- Secure payment handling
- Improved patient satisfaction
- Increased employee satisfaction

Healthcare Check-in Kiosks are a fast, secure, self-service option for providers that are looking to streamline administrative tasks while enhancing the patient experience with a greater focus on health care. These kiosks are often deployed by:

Hospital Lobbies Pharmacies Admitting Departments Medical Clinics

AUSTIN KIOSK—HEALTHCARE CHECK-IN

FORM AND FUNCTIONALITY FOR PATIENTS



The Austin Kiosk was created in response to requests for something multi-functional in a small and flexible footprint.

- Available in 4 easy-to-deploy models—Freestanding (FS), Height Adjustable (HA), Desktop (DT), and Wall-mount (WM)
- Several payment device options are available
- The body of the kiosk and the sign panel can be customized using different colors and decals to brand your kiosk and/or identify its purpose
- Cable management fully-enclosed to avoid vandalism or tampering



A CLOSER LOOK

AT AUSTIN HEALTHCARE CHECK-IN KIOSKS

STANDARD SPECS— AUSTIN HEIGHT-ADJUSTABLE

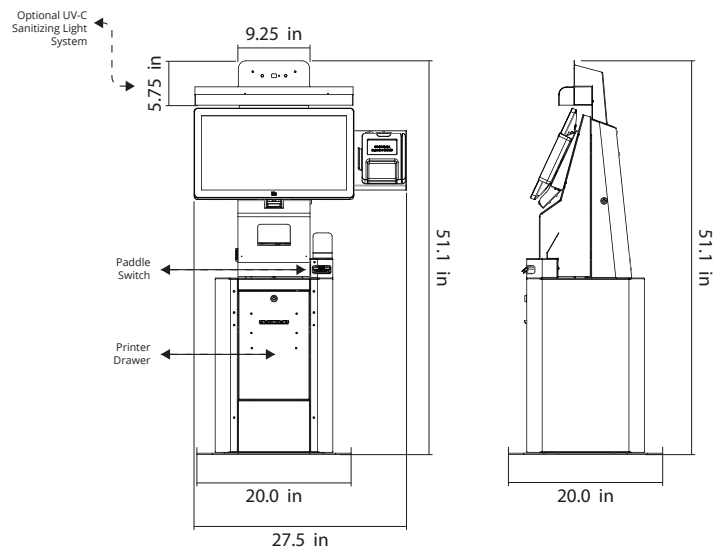
- 22" PCAP Touchscreen with Privacy Filter with Micro Form Factor PC
- Height adjustable from 51.1" to 62.9"
- ID Scanner
- Barcode Imager
- Web Camera
- Payment Device Options
- No-effort paddle switch to activate lift and lowering
- Printer in slide-out drawer
- Front service access door
- Privacy Screen
- Durable powder coat paint finish
- 16 Gauge galvanized steel
- Security locks
- Internal 6-outlet power strip
- Topple resistant base plate with ability to bolt to ground

**Note: Drawing shown with optional UV-C sanitizing light system

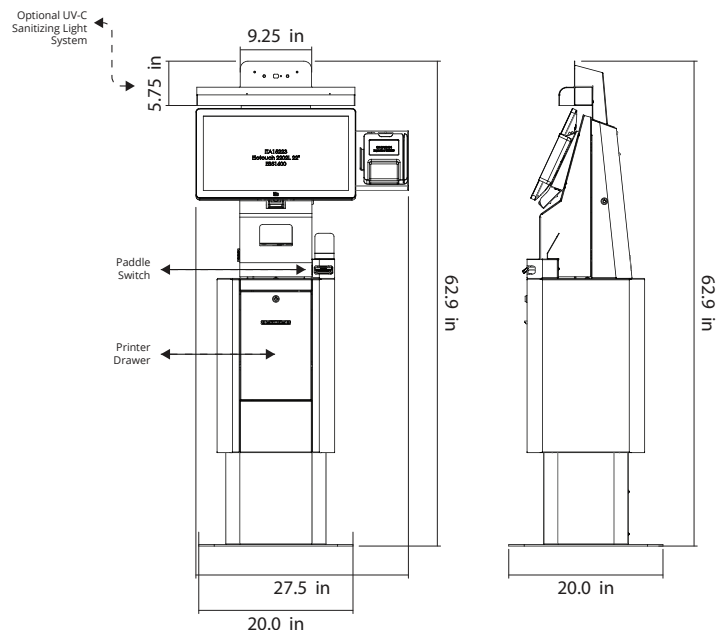
DIMENSIONS

- Width: 27.5"
- Height: Adjusts from 51.1" to 62.9"
- Depth: 20"
- Base plate: 20"w x 20"d

DIMENSIONS WITH BASE IN LOWEST POSITION



DIMENSIONS WITH BASE IN HIGHEST POSITION

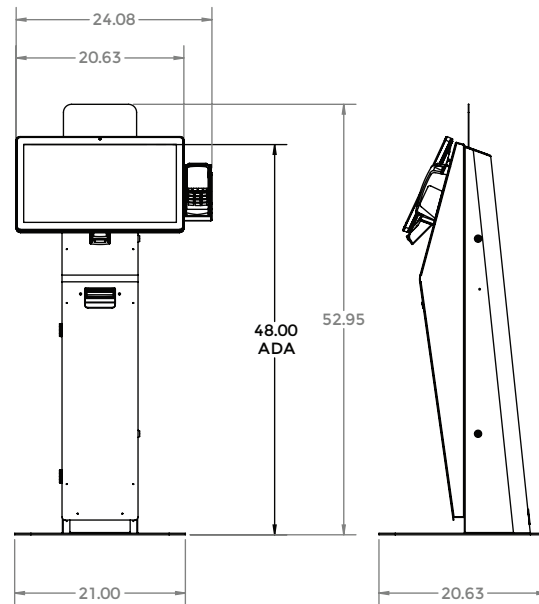


A CLOSER LOOK

AT AUSTIN HEALTHCARE CHECK-IN KIOSKS

STANDARD SPECS—FREESTANDING

- 22" PCAP Touchscreen with Privacy Filter with Micro Form Factor PC
- ID Scanner
- Barcode Imager
- Web Camera
- Payment Device Option
- Printer
- Privacy Screens
- Durable powder coat paint finish
- 16 Gauge Galvanized Steel
- Security Locks
- Internal 6-outlet power strip
- Topples resistant base plate with ability to bolt to ground

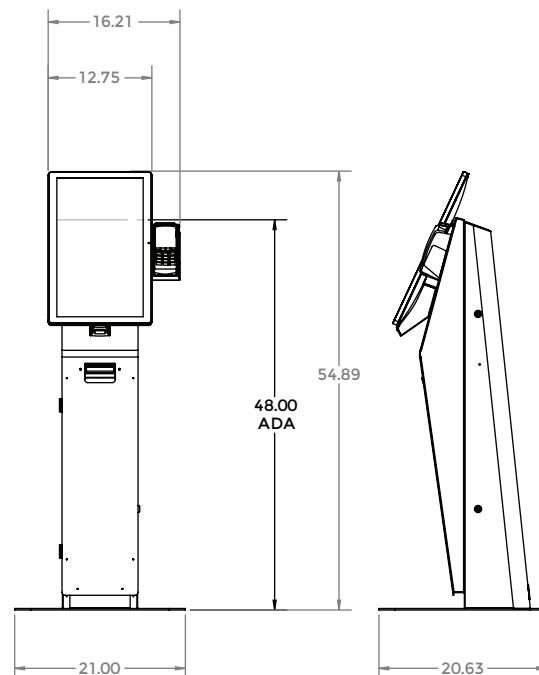


LANDSCAPE DIMENSIONS

- Width: 24.08"
- Height: 52.95"
- Depth: 20.63"
- Base plate: 21"w x 20.63"D

PORTRAIT DIMENSIONS

- Width: 16.21"
- Height: 54.89"
- Depth: 20.63"
- Base plate: 21"w x 20.63"D

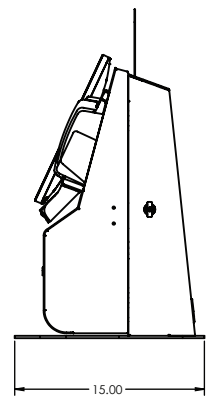
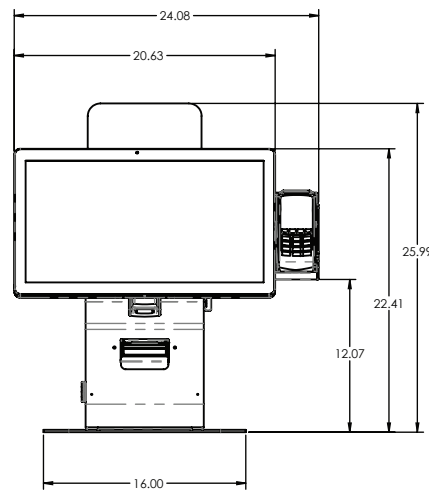


A CLOSER LOOK

AT AUSTIN HEALTHCARE CHECK-IN KIOSKS

STANDARD SPECS—DESKTOP

- 22" PCAP Touchscreen with Privacy Filter with Micro Form Factor PC
- ID Scanner
- Barcode Imager
- Web Camera
- Payment Device Options
- Privacy Screen
- Durable powder coat paint finish
- 16 Gauge Galvanized Steel
- Security Locks
- Internal 6-outlet power strip
- Ability to bolt to table or counter-top

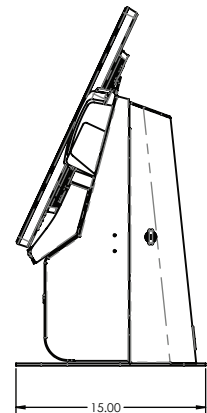
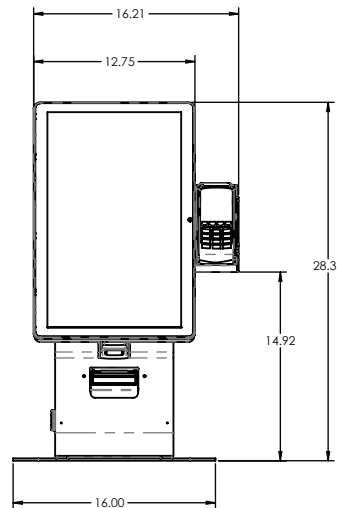


LANDSCAPE DIMENSIONS

- Width: 24.08"
- Height: 25.99"
- Depth: 15"
- Base plate: 16"w x 15"D

PORTRAIT DIMENSIONS

- Width: 16"
- Height: 28.34"
- Depth: 16"
- Base plate: 16"w x 15"D

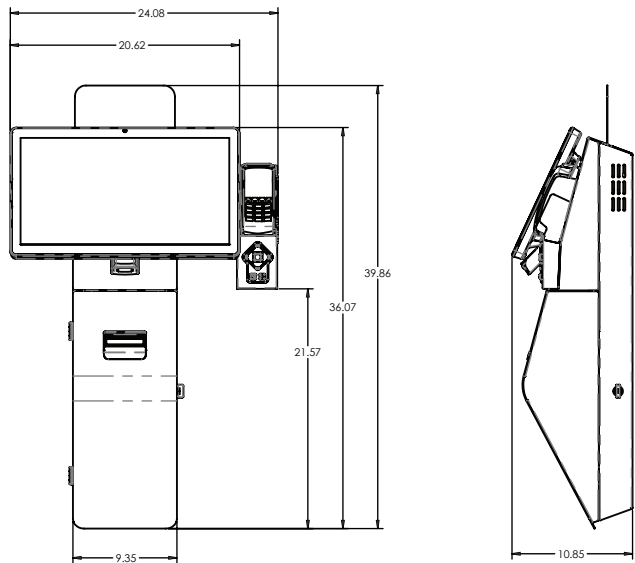


A CLOSER LOOK

AT AUSTIN HEALTHCARE CHECK-IN KIOSKS

STANDARD SPECS—WALL-MOUNT

- 22" PCAP Touchscreen with Privacy Filter with Micro Form Factor PC
- ID Scanner
- Barcode Imager
- Web Camera
- Payment Device Options
- Privacy Screen
- Durable powder coat paint finish
- 16 Gauge Galvanized Steel
- Security Locks
- Internal 6-outlet power strip

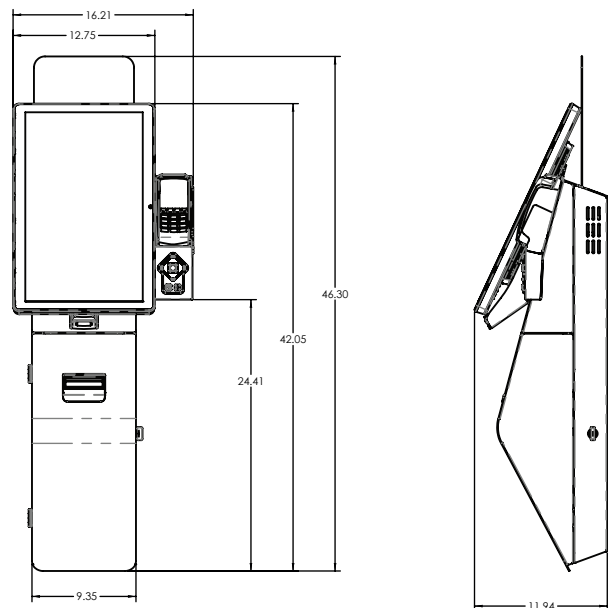


LANDSCAPE DIMENSIONS

- Width: 24.08"
- Height: 39.86"
- Depth: 10.85"

PORTRAIT DIMENSIONS

- Width: 16.21"
- Height: 46.30"
- Depth: 11.94"



REDEFINING SELF-SERVICE TECHNOLOGY FOR HEALTHCARE CHECK-IN

These feature-packed kiosks are designed modularly to ensure the kiosks can perform a wide variety of functions necessary across any healthcare environment.

OPTIONAL COMPONENTS

The Austin model supports the following additional external devices. Our team can help you determine what options might be best for your needs.

- 15" PCAP and 22" PCAP All-in-One computers
- RFID/NFC devices
- EZ Access ADA 508 device

INFECTION CONTROL OPTIONS

As self-service check-in kiosk use grows across healthcare facilities, patients appreciate the additional Infection Control options available to reduce the risk of infection transmission.

- UV-C sanitizing light system
- Antimicrobial paint
- Antimicrobial film



EXPERIENCE MATTERS

Olea has the self-service applications your Healthcare facility needs to enhance the patient experience and the bottom line.

